

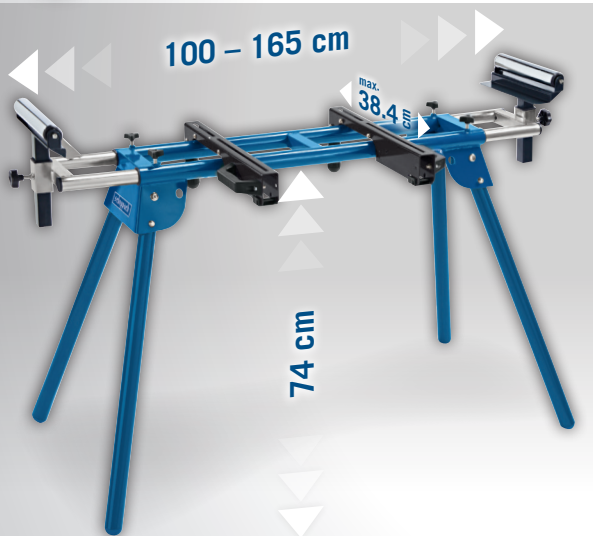


 **150 kg**

**SUITABLE FOR
MORE THAN
95 % OF ALL
MITRE SAWS**



UMF1600



UMF1600 OR UMF2000 | STAND

THE SCHEPPACH UMF1600 OR UMF2000 MITRE SAW STANDS ALLOW YOU TO SUPPORT NEARLY ALL BRANDS OF MITRE SAWS WITH THE LIGHTWEIGHT CONSTRUCTION.

- Made from lightweight steel for simple transportation
- Work stops are adjustable for your convenience
- Compact design allows easy transport and storage
- Tool mounting brackets allow easy and secure mounting of mitre saw to stand
- Legs provide superior support and fold for easy storage
- Universal design works with nearly all brands of mitre saws
- They support loads of up to 150 kg
- 1.0 m beam extends to support work up to 1.65 m (UMF1600)
- 1.16 m beam extends to support work up to 2.0 m (UMF2000)

UMF2000



SPECIFICATIONS

	UMF1600	UMF2000
Dimensions L x W x H	1000 x 580 x 810 mm	1250 x 632 x 900 mm
Stand height	810 mm	900 mm
Beam extension	1000 - 1650 mm	1160 - 2000 mm
Max. load capacity	150 kg	150 kg

LOGISTICAL DATA

	UMF1600	UMF2000
Weight net / gross	12.3 / 14.1 kg	13.5 / 15 kg
Packaging dimensions	1050 x 295 x 210 mm	1240 x 290 x 200 mm
Order No	5907103900	5907102900
Barcode	4046664031888	4046664031499
20 Container	470 pcs	410 pcs
40 Container	965 pcs	860 pcs
40 HQ Container	1070 pcs	960 pcs